

VARIABLE AREA FLOW METERS

FOR SIMPLE AND ACCURATE MEASUREMENT OF FLUIDS & GASES

Pressure range

Nominal pressure 10 bar at 20 °C

Materials

Tube: Polyamid, Polysulphone, PVDF and PVC-U transparent
 Float: PVDF, PTFE
 End stops: PVDF
 Screw connection: PVC-U (PP, PVDF, ABS)
 O-ring: EPDM (FPM)
 Guiding rod: Peek

Calibrated scales

The standard version comes with a printed on double scale: a percentage scale and a scale giving flow rate (H₂O l/h).

The special scales come as a sticker and need to be fitted to a blank taper tube. The scales are adhesive bonded to the tube and are printed with a special hard wearing paint.

Standard scale:

l/h

Special scales:

m³/h, GPM

Scales for other liquids:

HCl 30-33%, NaOH 30%, Na-OH 50% and air



Related Documents

Variable Area Flow Meter Technical & Installation Guide

CHEMICAL RESISTANCE LIST								
	Chemical			PVC-U	Trogamid	PSU	PVDF	Peek
Acid	phosphoric acid	H ₃ PO ₄	75%	X	O	X	X	X
	sulfuric acid	H ₂ SO ₄	<90%	X	-	-	X	-
	nitric acid	HNO ₃	<55%	X	-	-	X	-
	nitric acid	HNO ₃	67%	-	-	-	X	-
	hydrofluoric acid	HF	<70%	X	-	-	X	-
	hydrochloric acid	HCl	36%	X	O	X	X	O
Base	ammtonia	NH ₄ OH	25%	X	X	X	-	X
	caustic potash	KOH	>50%	X	O	X	-	X
	caustic soda	NaOH	<50%	X	O	X	-	X
Anorganica	ferric chloride	FeCl ₃	X	X	X	X	X	
	sodium hydrochloride	NaOCl	15%	X	X	X	-	X
	sodium bisulfite	NaHSO ₃	<40%	X	X	X	X	X
	hydrogen peroxide	H ₂ O ₂	35%	X	-	X	O	X
	aqueaeous inorganic sline solutions (not oxidizing)	til saturation		X	X	X	X	X
Organica	formic acid	HCOOH	85%	O	-	O	O	O
	acetic acid	CH ₃ COOH	85%	O	-	O	O	O
	formaldehyde	H ₂ CO	<40%	X	-	X	O	X
	glycol		<50%	O	-	X	X	X
	acetone	undiluted		-	O	-	O	X
	ethanol, methanol	undiluted		O	-	X	X	X
	aliphatic hydrocarbons	undiluted		O	X	X	X	X

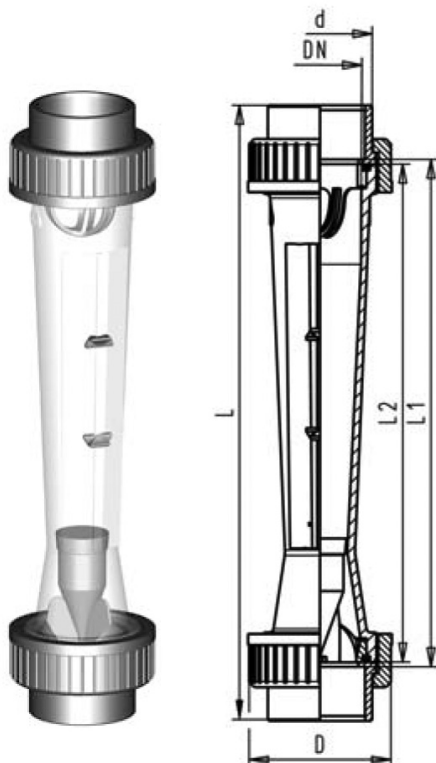
Valid for 40°C and 2bar X: recommended O: with limitations -: not recommended
 For higher or lower concentrations than mentioned in the list or entry "O", please contact our sales team

VARIABLE AREA FLOW METERS

FOR SIMPLE AND ACCURATE MEASUREMENT OF FLUIDS & GASES

335 SERIES VARIABLE AREA FLOW METERS

	Code	Range (Ltr / hr)	Size (NB)		Code	Range (Ltr / hr)	Size (NB)
Type 335, PVC Without Magnet	VGf335000	50-500	25	Type 335, PSU Without Magnet	VGfPSU335040	50-500	25
	VGf335001	100-1000	25		VGfPSU335041	100-1000	25
	VGf335002	150-1500	32		VGfPSU335042	150-1500	32
	VGf335003	250-2500	32		VGfPSU335043	250-2500	32
	VGf335004	200-2000	40		VGfPSU335044	200-2000	40
	VGf335005	300-3000	40		VGfPSU335045	300-3000	40
	VGf335006	600-6000	40		VGfPSU335046	600-6000	40
	VGf335007	600-6000	50		VGfPSU335047	600-6000	50
	VGf335008	1000-10000	50		VGfPSU335048	1000-10000	50
	VGf335009	1500-15000	50		VGfPSU335049	1500-15000	50
	VGf335010	2000-20000	65		VGfPSU335050	2000-20000	65
	VGf335011	3000-30000	65		VGfPSU335051	3000-30000	65
VGf335012	8000-60000	65	VGfPSU335052	8000-60000	65		
Type 335, PVC With Magnet	VGf335100M	50-500	25	Type 335, PSU With Magnet	VGfPSU335140M	50-500	25
	VGf335101M	100-1000	25		VGfPSU335141M	100-1000	25
	VGf335102M	150-1500	32		VGfPSU335142M	150-1500	32
	VGf335103M	250-2500	32		VGfPSU335143M	250-2500	32
	VGf335104M	200-2000	40		VGfPSU335144M	200-2000	40
	VGf335105M	300-3000	40		VGfPSU335145M	300-3000	40
	VGf335106M	600-6000	40		VGfPSU335146M	600-6000	40
	VGf335107M	600-6000	50		VGfPSU335147M	600-6000	50
	VGf335108M	1000-10000	50		VGfPSU335148M	1000-10000	50
	VGf335109M	1500-15000	50		VGfPSU335149M	1500-15000	50
	VGf335110M	2000-20000	65		VGfPSU335150M	2000-20000	65
	VGf335111M	3000-30000	65		VGfPSU335151M	3000-30000	65
VGf335112M	8000-60000	65	VGfPSU335152M	8000-60000	65		

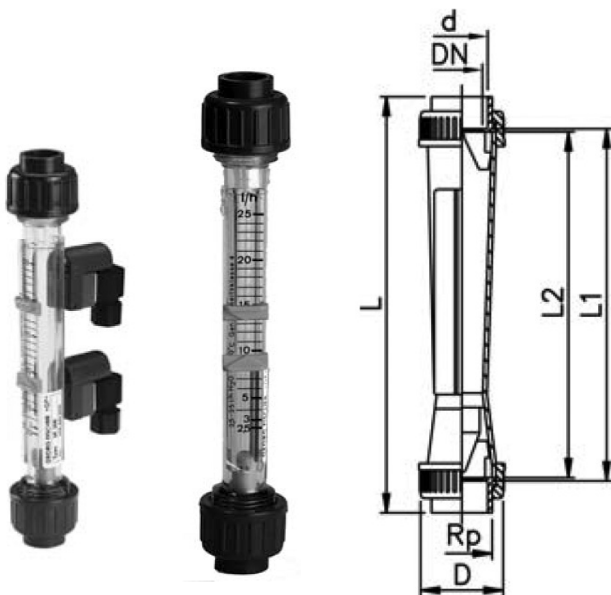


Range (Ltr / hr)	D (mm)	L (mm)	L1 (mm)	L2 (mm)	G (inch)
50-500	58	385	341	335	1½
100-1000	58	385	341	335	1½
150-1500	72	393	341	335	2
250-2500	72	393	341	335	2
200-2000	83	403	341	335	2¼
300-3000	83	403	341	335	2¼
600-6000	83	403	341	335	2¼
600-6000	101	417	341	335	2¾
1000-10000	101	417	341	335	2¾
1500-15000	101	417	341	335	2¾
2000-20000	135	429	341	335	3½
3000-30000	135	429	341	335	3½
8000-60000	135	429	341	335	3½

PVDF and Trogamid (Polyamid) Options available on request

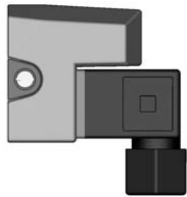
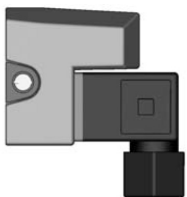
SHORT VERSION VARIABLE AREA FLOW METERS

	Code	Range (Ltr / hr)	Size (NB)		Code	Range (Ltr / hr)	Size (NB)
Short Version PVC Without Magnet	SKPVC50/010	2.5-25	10	Short Version PSU Without Magnet	SKPSU50/010	2.5-25	10
	SKPVC51/010	5-50	10		SKPSU51/010	5-50	10
	SKPVC52/010	10-100	10		SKPSU52/010	10-100	10
	SKPVC60/015	8-80	15		SKPSU60/015	8-80	15
	SKPVC61/015	15-150	15		SKPSU61/015	15-150	15
	SKPVC62/015	20-200	15		SKPSU62/015	20-200	15
	SKPVC70/025	15-150	25		SKPSU70/025	15-150	25
	SKPVC71/025	30-300	25		SKPSU71/025	30-300	25
	SKPVC72/025	50-500	25		SKPSU72/025	50-500	25
Short Version PVC With Magnet	SKPVC73/025	100-1000	25	SKPSU73/025	100-1000	25	
	SKPVC500/010	2.5-25	10	Short Version PSU With Magnet	SKPSU500/010	2.5-25	10
	SKPVC510/010	5-50	10		SKPSU510/010	5-50	10
	SKPVC520/010	10-100	10		SKPSU520/010	10-100	10
	SKPVC600/015	8-80	15		SKPSU600/015	8-80	15
	SKPVC610/015	15-150	15		SKPSU610/015	15-150	15
	SKPVC620/015	20-200	15		SKPSU620/015	20-200	15
	SKPVC700/025	15-150	25		SKPSU700/025	15-150	25
	SKPVC710/025	30-300	25		SKPSU710/025	30-300	25
SKPVC720/025	50-500	25	SKPSU720/025		50-500	25	
SKPVC730/025	100-1000	25	SKPSU730/025	100-1000	25		



Range (Ltr / hr)	D (mm)	L (mm)	L1 (mm)	L2 (mm)	Rp (inch)
2.5-25	35	199	171	165	3/8
5-50	35	199	171	165	3/8
10-100	35	199	171	165	3/8
8-80	43	223	191	185	1/2
15-150	43	223	191	185	1/2
20-200	43	223	191	185	1/2
15-150	60	250	206	200	1
30-300	60	250	206	200	1
50-500	60	250	206	200	1
100-1000	60	250	206	200	1

LIMIT SWITCHES FOR TYPE 335, 350 AND SHORT VERSION

	Code	Type		Code	Type	
Limit Contact Minimum	VAGK10	min		Limit Contact Maximum	VAGK11	max
						

Please refer to our Installation Guide