

PVC-U INDUSTRIAL

+GF+ METRIC PIPING SYSTEMS INCLUDING PRO-FIT

The +GF+ Metric PVC-U system is designed for industrial applications and is commonly used to convey chemicals, aggressive media and water. This European product range is produced from high quality raw materials specifically for demanding applications and for compatibility with the +GF+ range of industrial valving.

Applications

- Water treatment
- Thermal baths and swimming pools
- Surfactant based central foaming systems
- Waste water treatment
- Sewage treatment plants
- Cooling water
- Drinking water treatment
- Food and beverage industries

Chemical Resistance

PVC-U has excellent chemical resistance against aqueous saline solutions, acids, alkalines, fuels and oils. Please contact our sales team for full details of chemical resistance.

Related Documents


- Pipe Clips, Backing Rings and Dressing Sets List

PRO-FIT SYSTEM

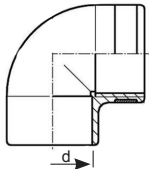
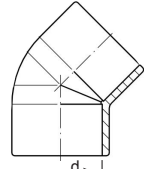
The PRO-FIT system offers installation advantages in both time and space savings. Six innovative spigot-socket fitting shapes provide the following benefits:

- Integrated cementing length and insertion depth marking makes handling faster, safer and easier.
- Direct jointing of fitting to fitting without extra pipe sections means less joints, quicker installations and space savings of up to 20%
- Dry assembly gives the ability to set up the installation before final cementing is carried out.
- 45° angles marked on both end face and socket and spigot branches means easy alignment and accurate angles.

+GF+ METRIC PVC-U PIPING PN16

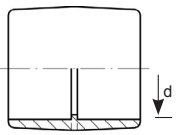
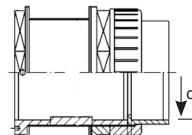
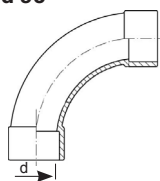
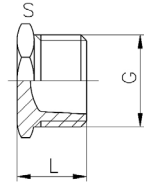
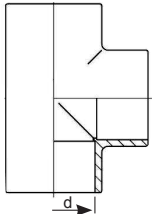
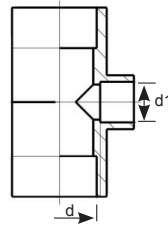
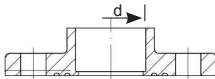
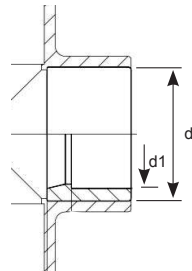
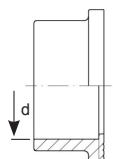
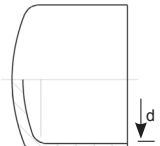
	Code	Size OD (mm)	Min Wall Thickness (mm)
Pipe PN16  5 metre lengths	161017104	12	1
	161017105	16	1.2
	161017106	20	1.5
	161017107	25	1.9
	161017108	32	2.4
	161017109	40	3
	161017110	50	3.7
	161017111	63	4.7
	161017112	75	5.6
	161017113	90	6.7
	161017114	110	8.2
	161017115	125	9.3
	161017116	140	10.4
	161017117	160	11.9

+GF+ METRIC PVC-U FITTINGS

	Code	Size d		Code	Size d
Elbow 90°  PN16	721100104	12	Elbow 45°  PN16	721150105	16
	721100105	16		721150106	20
	721100106	20		721150107	25
	721100107	25		721150108	32
	721100108	32		721150109	40
	721100109	40		721150110	50
	721100110	50		721150111	63
	721100111	63		721150112	75
	721100112	75		721150113	90
	721100113	90		721150114	110
	721100114	110			

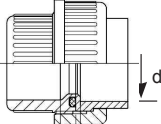

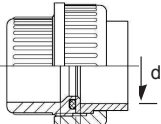
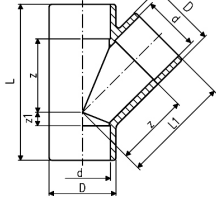
PVC-U INDUSTRIAL


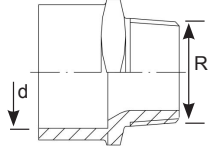
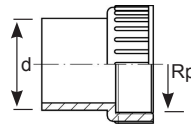
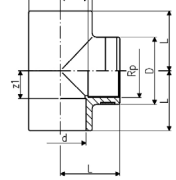
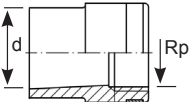
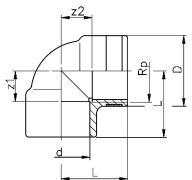
+GF+ METRIC PIPING SYSTEMS INCLUDING PRO-FIT

+GF+ METRIC PVC-U FITTINGS								
	Code	Size d		Code	Size d			
Socket 	721910105	16	Tank Adaptor with Union EPDM 	161050245	16			
	721910106	20		161050246	20			
	721910107	25		161050247	25			
	721910108	32		161050248	32			
	721910109	40		161050249	40			
	721910110	50		161050250	50			
	721910111	63		161050251	63			
	721910112	75						
	721910113	90						
	721910114	110						
	PN16							
	Bend 90° 	721000107		25	PVC PN10 Plug Taper 	721961905	3/8"	
		721000108		32		721961906	1/2"	
		721000109		40		721961907	3/4"	
721000110		50	721961908	1"				
721000111		63	721961909	1 1/4"				
721000112		75	721961910	1 1/2"				
721000113		90	721961911	2"				
PN16								
Tee 90° 		721200105	16	Tee 90°, Reducing 		721200134	25	20
		721200106	20			721200141	32	20
	721200107	25	721200138		32	25		
	721200108	32	721200155		40	20		
	721200109	40	721200151		40	25		
	721200110	50	721200147		40	32		
	721200111	63	721200009		50	20		
	721200112	75	721200010		50	25		
	721200113	90	721200164		50	32		
	721200114	110	721200161		50	40		
	PN16				721200011	63	25	
	Full Face Flange ISO/DIN Bolt Pattern 	721740106	20		Reducing Bush, Short 	721200178	63	32
721740107		25	721200174	63		40		
721740108		32	721200170	63		50		
721740109		40	721200181	75		32		
721740110		50	721900331	16		12		
721740111		63	721900334	20		16		
721740112		75	721900337	25		20		
721740113		90	721900342	32		20		
721740114		110	721900341	32		25		
721740116		140	721900348	40		20		
721740117		160	721900347	40		25		
PN10/PN16				721900346		40	32	
Stub Flange 		721800106	20	721900355		50	20	
		721800107	25	721900354		50	25	
	721800108	32	721900353	50	32			
	721800109	40	721900352	50	40			
	721800110	50	721900360	63	32			
	721790111	63	721900359	63	40			
	721790112	75	721900358	63	50			
	721790113	90	721900365	75	50			
	721790114	110	721900364	75	63			
	PN16			721900372	90	50		
End Cap 	721960104	12	721900371	90	63			
	721960105	16	721900370	90	75			
	721960106	20	721900379	110	50			
	721960107	25	721900378	110	63			
	721960108	32	721900377	110	75			
	721960109	40	721900376	110	90			
	721960110	50						
	721960111	63						
	721960112	75						
	721960113	90						
	721960114	110						
	PN16							

PVC-U INDUSTRIAL

+GF+ METRIC PIPING SYSTEMS INCLUDING PRO-FIT

+GF+ METRIC PVC-U FITTINGS								
	Code	Size			Code	Size (OD)		
		d						
Socket Unions EPDM  ≤63mm = PN16 ≥75mm = PN10	721510105	16		PVC Spigot Hosetail Parallel Hose Barb 	721960404	12		
	721510106	20			721960405	16		
	721510107	25			721960406	20		
	721510108	32			721960407	25		
	721510109	40			721960408	32		
	721510110	50			721960409	40		
	721510111	63			721960410	50		
	721510112	75			721960411	63		
	721510313	90						
	721510114	110						
	Socket Unions FPM  ≤63mm = PN16 ≥75mm = PN10	721510128	10			PVC PN10 WYE 	721250105	16
		721510129	12				721250107	25
		721510130	16				721250108	32
721510131		20		721250109	40			
721510132		25		721250110	50			
721510133		32		721250111	63			
721510134		40		721250112	75			
721510135		50						
721510136		63						
721510137		75						
721510138		90						
721510139		110						

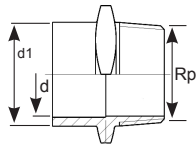
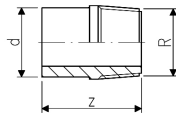
+GF+ METRIC PVC-U ADAPTOR FITTINGS							
	Code	Size			Code	Size	
		d	Rp			d	R
Adaptor Socket  ≤63mm = PN16 ≥75mm = PN10	VADPTSOPT/010	16	3/8"	Male Adaptor PN16 	721910705	16	3/8"
	VADPTSOPT/015	20	1/2"		721910706	20	1/2"
	VADPTSOPT/020	25	3/4"		721910707	25	3/4"
	VADPTSOPT/025	32	1"		721910708	32	1"
	VADPTSOPT/032	40	1 1/4"		721910709	40	1 1/4"
	VADPTSOPT/040	50	1 1/2"		721910710	50	1 1/2"
	VADPTSOPT/050	63	2"		721910711	63	2"
	VADPTSOPT/065	75	2 1/2"		721910712	75	2 1/2"
	VADPTSOPT/080	90	3"		721910713	90	3"
	VADPTSOPT/100	110	4"		721910714	110	4"
Female Adaptor  PN10	721900406	20	1/2"	PVC PN16 Tee Plain/Threaded 	721200205	16	3/8"
	721900407	25	3/4"		721200206	20	1/2"
	721900408	32	1"		721200207	25	3/4"
	721900409	40	1 1/4"		721200208	32	1"
	721900410	50	1 1/2"		721200209	40	1 1/4"
	721900411	63	2"		721200210	50	1 1/2"
Reducing Bush Plain/Threaded  PN16	721910404	12	1/4"	PVC Elbow 90° Plain/Threaded 	721100205	16	3/8"
	721910434	20	3/8"		721100206	20	1/2"
	721910437	25	1/2"		721100207	25	3/4"
	721910441	32	3/4"		721100208	32	1"
	721910446	40	1"		721100209	40	1 1/4"
	721910452	50	1 1/4"		721100210	50	1 1/2"

Note: Use only approved PTFE paste or tapes on threaded fittings

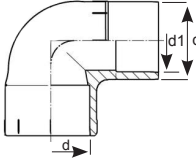
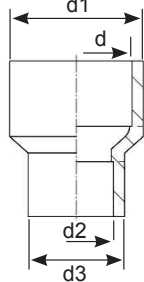
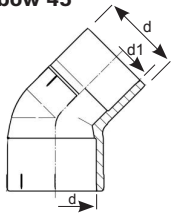
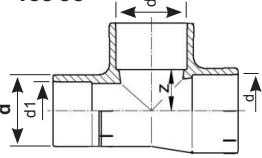
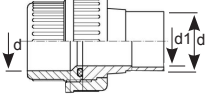
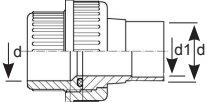
PVC-U INDUSTRIAL

+GF+ METRIC PIPING SYSTEMS INCLUDING PRO-FIT

+GF+ METRIC PVC-U ADAPTOR FITTINGS

	Code	Size				Code	Size	
		d	d1	Rp			d	R
Adaptor Socket-Nipple  PN16	721910555	12	16	3/8"	PVC PN10 Adaptor Nipple 	721913505	16	3/8"
	721910556	16	20	1/2"		721913506	20	1/2"
	721910557	20	25	3/4"		721913507	25	3/4"
	721910558	25	32	1"		721913508	32	1"
	721910559	32	40	1 1/4"				
	721910560	40	50	1 1/2"				
	721910561	50	63	2"				

+GF+ PRO-FIT SYSTEM

	Code	Size			Code	Size			
		d	d1			d	d1	d2	d3
Elbow 90°  PN16	721100306	20	16	Reducing Bush, Long  PN16	721910903	8	12	10	-
	721100307	25	20		721910905	12	16	8	12
	721100308	32	25		721910906	12	16	10	16
	721100309	40	32		721910908	16	20	10	16
	721100310	50	40		721910909	16	20	12	16
	721100311	63	50		721910910	20	25	12	16
Elbow 45°  PN16	721150306	20	16	721910911	20	25	16	20	
	721150307	25	20	721910912	25	32	12	16	
	721150308	32	25	721910913	25	32	16	20	
	721150309	40	32	721910914	25	32	20	25	
	721150310	50	40	721910915	32	40	16	20	
	721150311	63	50	721910916	32	40	20	25	
Tee 90°  PN16	721200306	20	16	721910917	32	40	25	32	
	721200307	25	20	721910918	40	50	20	25	
	721200308	32	25	721910919	40	50	25	32	
	721200309	40	32	721910920	40	50	32	40	
	721200310	50	40	721910921	50	63	25	32	
	721200311	63	50	721910922	50	63	32	40	
Unions, EPDM  PN16	721510305	16	12	721910923	50	63	40	50	
	721510306	20	16	721910924	63	75	32	40	
	721510307	25	20	721910925	63	75	40	50	
	721510308	32	25	721910926	63	75	50	63	
	721510309	40	32	721910927	75	90	40	50	
	721510310	50	40	721910928	75	90	50	63	
Unions, FPM  PN16	721510311	63	50	721910929	75	90	63	75	
	721510330	16	12						
	721510331	20	16						
	721510332	25	20						
	721510333	32	25						
	721510334	40	32						
	721510335	50	40						
	721510336	63	50						

METRIC PIPE CLIPS

	Code	Size (OD)
PP GF061H Pipe Clip ISO/DIN 546 	167061035	16mm
	167061036	20mm
	167061037	25mm
	167061038	32mm
	167061039	40mm
	167061040	50mm
	167061041	63mm
	167061012	75mm
	167061013	90mm
	167061014	110mm

Refer to Backing Rings and Dressing Sets
 PP Backing Rings for Chemical Applications
 PP Pipe Clips
 ISO/DIN 546