

PVC-U INDUSTRIAL

+GF+ METRIC PIPING SYSTEMS INCLUDING PRO-FIT

The +GF+ Metric PVC-U system is designed for industrial applications and is commonly used to convey chemicals, aggressive media and water. This European product range is produced from high quality raw materials specifically for demanding applications and for compatibility with the +GF+ range of industrial valving.

Applications

- Water treatment
- Thermal baths and swimming pools
- Surfactant based central foaming systems
- Waste water treatment
- Sewage treatment plants
- Cooling water
- Drinking water treatment
- Food and beverage industries

Chemical Resistance

PVC-U has excellent chemical resistance against aqueous saline solutions, acids, alkalines, fuels and oils. Please contact our sales team for full details of chemical resistance.


Related Documents

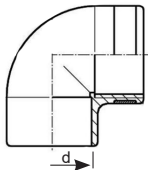
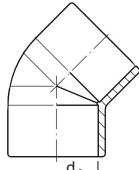
- Pipe Clips, Backing Rings and Dressing Sets List

PRO-FIT SYSTEM

The PRO-FIT system offers installation advantages in both time and space savings. Six innovative spigot-socket fitting shapes provide the following benefits:

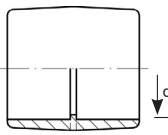
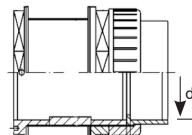
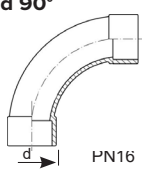
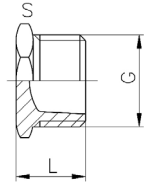
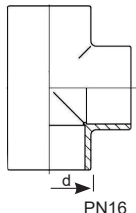
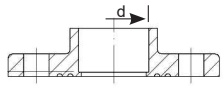
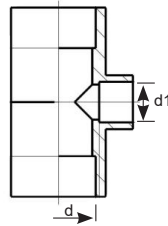
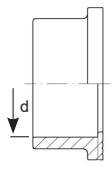
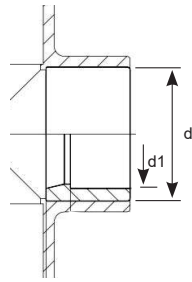
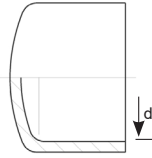
- Integrated cementing length and insertion depth marking makes handling faster, safer and easier.
- Direct jointing of fitting to fitting without extra pipe sections means less joints, quicker installations and space savings of up to 20%
- Dry assembly gives the ability to set up the installation before final cementing is carried out.
- 45° angles marked on both end face and socket and spigot branches means easy alignment and accurate angles.

+GF+ METRIC PVC-U PIPING PN16			
	Code	Size OD (mm)	Min Wall Thickness (mm)
Pipe PN16  5 metre lengths	161017104	12	1
	161017105	16	1.2
	161017106	20	1.5
	161017107	25	1.9
	161017108	32	2.4
	161017109	40	3
	161017110	50	3.7
	161017111	63	4.7
	161017112	75	5.6
	161017113	90	6.7
	161017114	110	8.2
	161017115	125	9.3
	161017116	140	10.4
	161017117	160	11.9

+GF+ METRIC PVC-U FITTINGS					
	Code	Size d		Code	Size d
Elbow 90°  PN16	721100104	12	Elbow 45°  PN16	721150105	16
	721100105	16		721150106	20
	721100106	20		721150107	25
	721100107	25		721150108	32
	721100108	32		721150109	40
	721100109	40		721150110	50
	721100110	50		721150111	63
	721100111	63		721150112	75
	721100112	75		721150113	90
	721100113	90		721150114	110
	721100114	110			

PVC-U INDUSTRIAL

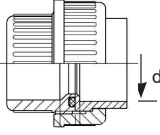
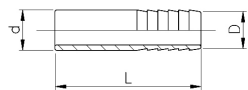
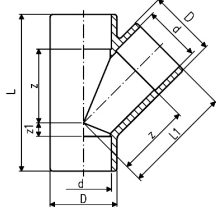
+GF+ METRIC PIPING SYSTEMS INCLUDING PRO-FIT

+GF+ METRIC PVC-U FITTINGS																																																										
	Code	Size d		Code	Size d																																																					
Socket  PN16	721910105	16		Tank Adaptor with Union EPDM  161050245 16 161050246 20 161050247 25 161050248 32 161050249 40 161050250 50 161050251 63																																																						
	721910106	20																																																								
	721910107	25																																																								
	721910108	32																																																								
	721910109	40																																																								
	721910110	50																																																								
	721910111	63																																																								
	721910112	75																																																								
	721910113	90																																																								
	721910114	110																																																								
	Bend 90°  PN16	721000107			25		PVC PN10 Plug Taper  721961905 3/8" 721961906 1/2" 721961907 3/4" 721961908 1" 721961909 1 1/2" 721961910 1 1/2" 721961911 2"																																																			
		721000108			32																																																					
		721000109			40																																																					
		721000110			50																																																					
721000111		63																																																								
721000112		75																																																								
721000113		90																																																								
Tee 90°  PN16		721200105	16		<table border="1"> <thead> <tr> <th rowspan="2">Code</th> <th colspan="2">Size</th> </tr> <tr> <th>d</th> <th>d1</th> </tr> </thead> <tbody> <tr> <td>721200134</td> <td>25</td> <td>20</td> </tr> <tr> <td>721200141</td> <td>32</td> <td>20</td> </tr> <tr> <td>721200138</td> <td>32</td> <td>25</td> </tr> <tr> <td>721200155</td> <td>40</td> <td>20</td> </tr> <tr> <td>721200151</td> <td>40</td> <td>25</td> </tr> <tr> <td>721200147</td> <td>40</td> <td>32</td> </tr> <tr> <td>721200009</td> <td>50</td> <td>20</td> </tr> <tr> <td>721200010</td> <td>50</td> <td>25</td> </tr> <tr> <td>721200164</td> <td>50</td> <td>32</td> </tr> <tr> <td>721200161</td> <td>50</td> <td>40</td> </tr> <tr> <td>721200011</td> <td>63</td> <td>25</td> </tr> <tr> <td>721200178</td> <td>63</td> <td>32</td> </tr> <tr> <td>721200174</td> <td>63</td> <td>40</td> </tr> <tr> <td>721200170</td> <td>63</td> <td>50</td> </tr> <tr> <td>721200181</td> <td>75</td> <td>32</td> </tr> </tbody> </table>			Code	Size		d	d1	721200134	25	20	721200141	32	20	721200138	32	25	721200155	40	20	721200151	40	25	721200147	40	32	721200009	50	20	721200010	50	25	721200164	50	32	721200161	50	40	721200011	63	25	721200178	63	32	721200174	63	40	721200170	63	50	721200181	75	32	
		Code	Size																																																							
			d					d1																																																		
	721200134	25	20																																																							
	721200141	32	20																																																							
	721200138	32	25																																																							
	721200155	40	20																																																							
	721200151	40	25																																																							
	721200147	40	32																																																							
	721200009	50	20																																																							
	721200010	50	25																																																							
721200164	50	32																																																								
721200161	50	40																																																								
721200011	63	25																																																								
721200178	63	32																																																								
721200174	63	40																																																								
721200170	63	50																																																								
721200181	75	32																																																								
721200106	20																																																									
721200107	25																																																									
721200108	32																																																									
721200109	40																																																									
721200110	50																																																									
721200111	63																																																									
721200112	75																																																									
721200113	90																																																									
721200114	110																																																									
Full Face Flange ISO/DIN Bolt Pattern  PN10/PN16	721740106	20		Tee 90°, Reducing  PN16																																																						
	721740107	25																																																								
	721740108	32																																																								
	721740109	40																																																								
	721740110	50																																																								
	721740111	63																																																								
	721740112	75																																																								
	721740113	90																																																								
	721740114	110																																																								
	721740116	140																																																								
	721740117	160																																																								
	Stub Flange  PN10/PN16	721800106			20		Reducing Bush, Short  PN16																																																			
		721800107			25																																																					
721800108		32																																																								
721800109		40																																																								
721800110		50																																																								
721790111		63																																																								
721790112		75																																																								
721790113		90																																																								
721790114		110																																																								
End Cap 		721960104	12																																																							
	721960105	16																																																								
	721960106	20																																																								
	721960107	25																																																								
	721960108	32																																																								
	721960109	40																																																								
	721960110	50																																																								
	721960111	63																																																								
	721960112	75																																																								
	721960113	90																																																								
	721960114	110																																																								

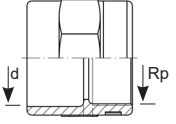
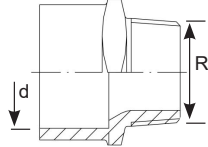
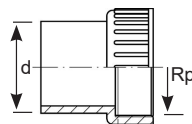
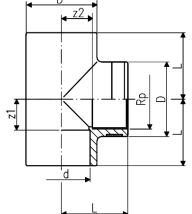
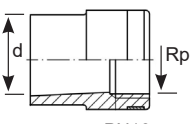
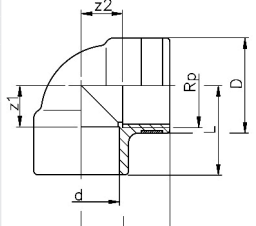
PVC-U INDUSTRIAL

+GF+ METRIC PIPING SYSTEMS INCLUDING PRO-FIT

+GF+ METRIC PVC-U FITTINGS

	Code	Size d		Code	Size (OD)	
Socket Unions EPDM  ≤63mm = PN16 ≥75mm = PN10	721510105	16	PVC Spigot Hosetail Parallel Hose Barb 	721960404	12	
	721510106	20		721960405	16	
	721510107	25		721960406	20	
	721510108	32		721960407	25	
	721510109	40		721960408	32	
	721510110	50		721960409	40	
	721510111	63		721960410	50	
	721510112	75		721960411	63	
	721510313	90		PVC PN10 WYE 	721250105	16
	721510114	110			721250107	25
	721510128	10			721250108	32
	721510129	12			721250109	40
	721510130	16			721250110	50
721510131	20	721250111	63			
721510132	25	721250112	75			
721510133	32					
721510134	40					
721510135	50					
721510136	63					
721510137	75					
721510138	90					
721510139	110					

+GF+ METRIC PVC-U ADAPTOR FITTINGS

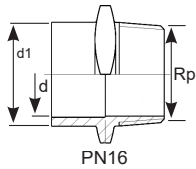
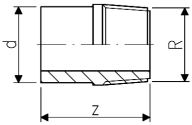
	Code	Size			Code	Size	
		d	Rp			d	R
Adaptor Socket  ≤63mm = PN16 ≥75mm = PN10	VADPTSOPT/010	16	3/8"	Male Adaptor PN16 	721910705	16	3/8"
	VADPTSOPT/015	20	1/2"		721910706	20	1/2"
	VADPTSOPT/020	25	3/4"		721910707	25	3/4"
	VADPTSOPT/025	32	1"		721910708	32	1"
	VADPTSOPT/032	40	1 1/4"		721910709	40	1 1/4"
	VADPTSOPT/040	50	1 1/2"		721910710	50	1 1/2"
	VADPTSOPT/050	63	2"		721910711	63	2"
	VADPTSOPT/065	75	2 1/2"		721910712	75	2 1/2"
	VADPTSOPT/080	90	3"		721910713	90	3"
	VADPTSOPT/100	110	4"		721910714	110	4"
	Female Adaptor  PN10	721900406	20		1/2"	PVC PN16 Tee Plain/Threaded 	721200205
721900407		25	3/4"	721200206	20		1/2"
721900408		32	1"	721200207	25		3/4"
721900409		40	1 1/4"	721200208	32		1"
721900410		50	1 1/2"	721200209	40		1 1/4"
721900411		63	2"	721200210	50		1 1/2"
Reducing Bush Plain/Threaded  PN16	721910404	12	1/4"	PVC Elbow 90° Plain/Threaded 	721100205	16	3/8"
	721910434	20	3/8"		721100206	20	1/2"
	721910437	25	1/2"		721100207	25	3/4"
	721910441	32	3/4"		721100208	32	1"
	721910446	40	1"		721100209	40	1 1/4"
721910452	50	1 1/4"	721100210	50	1 1/2"		

Note: Use only approved PTFE paste or tapes on threaded fittings

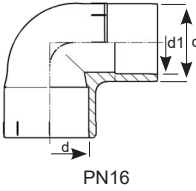
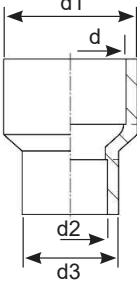
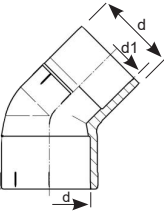
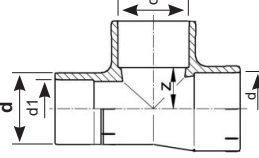
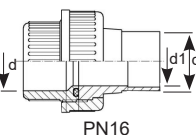
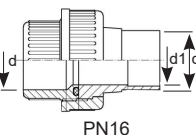
PVC-U INDUSTRIAL

+GF+ METRIC PIPING SYSTEMS INCLUDING PRO-FIT

+GF+ METRIC PVC-U ADAPTOR FITTINGS

	Code	Size				Code	Size	
		d	d1	Rp			d	R
Adaptor Socket-Nipple  PN16	721910555	12	16	3/8"	PVC PN10 Adaptor Nipple 	721913505	16	3/8"
	721910556	16	20	1/2"		721913506	20	1/2"
	721910557	20	25	3/4"		721913507	25	3/4"
	721910558	25	32	1"		721913508	32	1"
	721910559	32	40	1 1/4"				
	721910560	40	50	1 1/2"				
	721910561	50	63	2"				

+GF+ PRO-FIT SYSTEM

	Code	Size					Code	Size			
		d	d1	d2	d3			d	d1	d2	d3
Elbow 90°  PN16	721100306	20	16			Reducing Bush, Long  PN16	721910903	8	12	10	-
	721100307	25	20				721910905	12	16	8	12
	721100308	32	25				721910906	12	16	10	16
	721100309	40	32				721910908	16	20	10	16
	721100310	50	40				721910909	16	20	12	16
	721100311	63	50				721910910	20	25	12	16
Elbow 45°  PN16	721150306	20	16				721910911	20	25	16	20
	721150307	25	20				721910912	25	32	12	16
	721150308	32	25				721910913	25	32	16	20
	721150309	40	32				721910914	25	32	20	25
	721150310	50	40				721910915	32	40	16	20
	721150311	63	50				721910916	32	40	20	25
Tee 90°  PN16	721200306	20	16				721910917	32	40	25	32
	721200307	25	20				721910918	40	50	20	25
	721200308	32	25				721910919	40	50	25	32
	721200309	40	32				721910920	40	50	32	40
	721200310	50	40				721910921	50	63	25	32
	721200311	63	50				721910922	50	63	32	40
Unions, EPDM  PN16	721510305	16	12				721910923	50	63	40	50
	721510306	20	16				721910924	63	75	32	40
	721510307	25	20			721910925	63	75	40	50	
	721510308	32	25			721910926	63	75	50	63	
	721510309	40	32			721910927	75	90	40	50	
	721510310	50	40			721910928	75	90	50	63	
Unions, FPM  PN16	721510311	63	50			721910929	75	90	63	75	
	721510330	16	12								
	721510331	20	16								
	721510332	25	20								
	721510333	32	25								
	721510334	40	32								
721510335	50	40									
721510336	63	50									

METRIC PIPE CLIPS

	Code	Size (OD)
PP GF061H Pipe Clip ISO/DIN 546 	167061035	16mm
	167061036	20mm
	167061037	25mm
	167061038	32mm
	167061039	40mm
	167061040	50mm
	167061041	63mm
	167061012	75mm
	167061013	90mm
	167061014	110mm

Refer to Backing Rings and Dressing Sets
 PP Backing Rings for Chemical Applications
 PP Pipe Clips
 ISO/DIN 546